



Now with Vision System Interface Function

X-SEL Controller

You can now connect a vision system to your XSEL controller with ease.

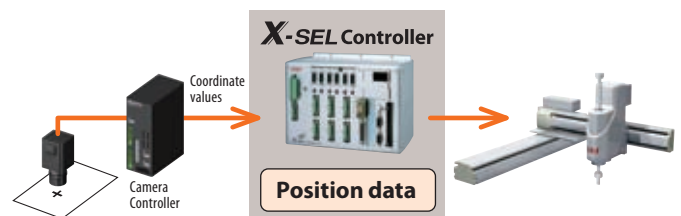
1. Supporting leading vision systems that can be connected directly

You can use high-functional vision systems from manufacturers specialized in vision systems, such as Omron, Keyence and Cognex. Camera can capture up to 5 mega pixels.



2. No need for complex communication programs

Coordinates read by the camera are stored as position data in the robot controller according to dedicated commands. You don't need any complex communication programs.



3. Easy adjustment (calibration)

Robot coordinates and camera coordinates can be aligned (calibrated) easily on the dedicated screen of your PC software.

4. Choice for affixing the camera

The camera can be mounted either directly to the robot or to an external location.

■ Connectable Vision Systems

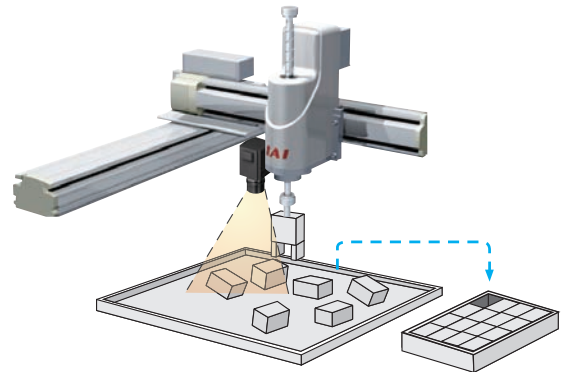
Examples of vision system models					
Manufacturer	Model				Interface
Cognex	In-Sight5000 series				Ethernet
Omron	F210-C10	FZ3	—		RS232C
Keyence	CV2000	CV3000	CV5000	XG-7000	Ethernet RS232C

■ IAI Equipment Needed to Connect a Vision System

- XSEL-P/Q controller
(Main application firmware version 1.05 or later)
- Ethernet board
(Optional --- Required if Ethernet is used for communication between the vision system and XSEL)
- XSEL controller PC software
(Version 7.06.08.00 or later)

■ Application

Randomly oriented parts are picked up from a tray and placed in a box.



■ System Configuration (Example of Wiring with Omron's Vision System FZ3) * Contact IAI for details.

