

AQ Seal

**Automatic Quantum Lubricating Seal
minimizes long term maintenance.**

AQ Seal **Minimizes long term maintenance.**

Characteristics:

- This seal is made of a material that is impregnated with lubrication oil.
- The AQ Seal option provides long term maintenance free operation and is available upon request from the customer.
- The lubrication oil is released when the unit contacts the guide and the surface of the rolling steel balls. Thus, long term maintenance free operation is possible.

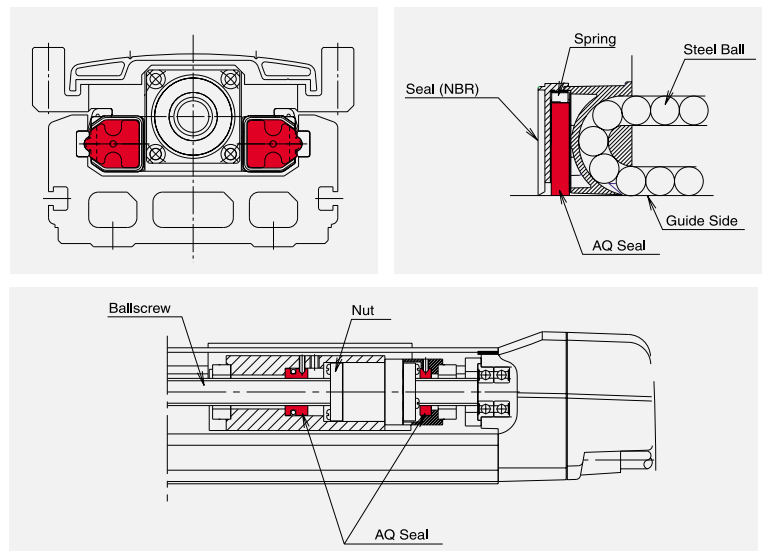
Effects of the AQ Seal:

- Troublesome greasing work can be reduced to minimal frequency.
(Long term maintenance free operation of 5000km or 3 years between applications of grease)
- Practical for systems where greasing work is hard to perform.
- Environmentally friendly. Since less grease will be applied, the operation environment can be kept clean.

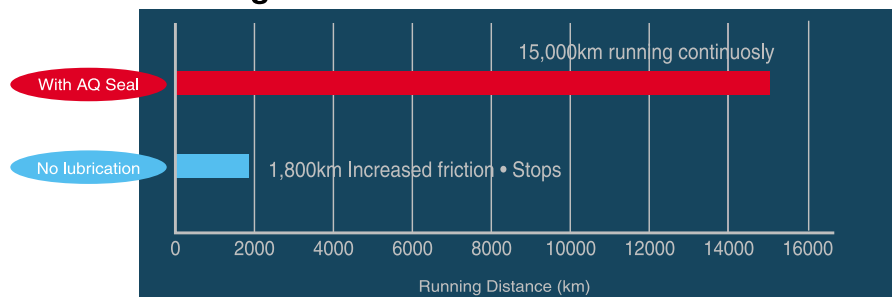
Model Type

Please specify AQ at the end of the actuator model type.

Example:
IS-S-X-M-16-60-300-AQ
RC-S5-H-400-AQ



Running Test Data



AQ Seal Flyer
Catalog No. 011500

Providing quality products since 1986.



IAI America, Inc. (U.S. Headquarters)
2360 West 205th Street, Torrance, CA 90501
(800) 736-1712 (310) 320-4553 FAX

U.S. Sales Offices

IAI America, Inc. (Illinois Regional Office)
1261 Hamilton Parkway, Itasca, IL 60143
(800) 944-0333 (630) 467-9912 FAX

www.iaiamerica.com